

LUMINAS™

Luminas LEDs offer superior form and function. Reasons for choosing Luminas over the competition include:

- **UL Listed Fixtures**
- **CE Certified Lamps**
- **High Efficacy**
- **Conforms to Title 24 High Efficacy Requirements**
- **Energy Star Partner**
- **Recyclable**
- **Superior Light Quality**
- **State-of-the-Art Technology**
- **No Harmful UV Light**
- **No Toxic Mercury**
- **Qualifies for LEED and Green Point Ratings**
- **Simple Installation and Virtually Zero Maintenance Costs**
- **Ideal for Residential, Hospitality, and Commercial Applications**

The **LUMINAS** LED Advantages

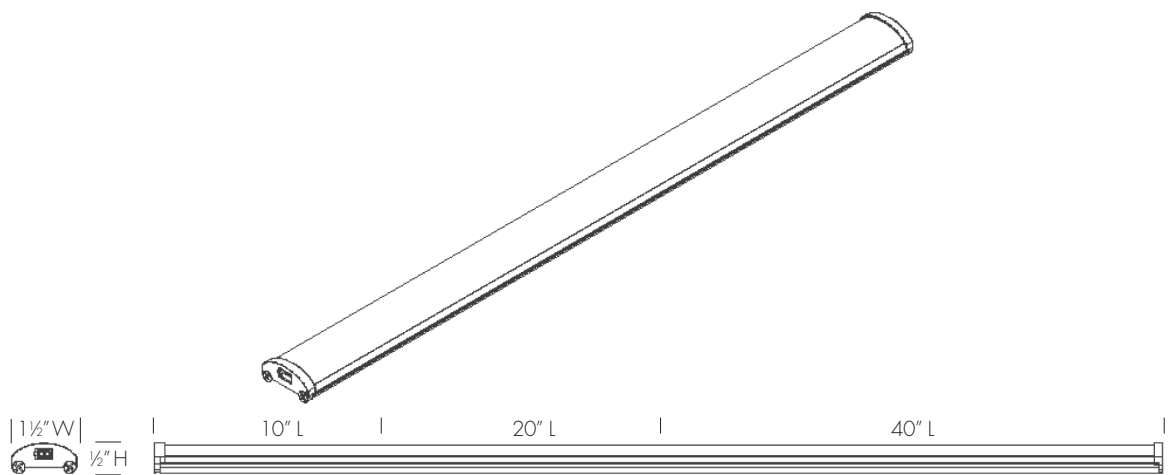
- **Up to 90% energy savings** as compared to incandescent. Luminas LEDs achieve huge energy and cost savings for hospitality, commercial, and residential applications.
- **Up to 50,000 hours of useful life** = low maintenance cost. Luminas LEDs are designed to perform for years, making them ideal for locations that are hard to access.
- **The green solution.** In a single year, LEDs have the potential to save billions of dollars in domestic energy production and tons in carbon emissions. Further, LEDs do not contain toxic mercury and are free of the harmful UV emissions associated with conventional lighting solutions.
- **Extremely durable.** Free of filaments, moving parts or fragile glass, Luminas LEDs can withstand high levels of shock and vibration.
- **Reduced heat** = greater safety. Luminas LEDs generate low levels of heat and operate at low voltages, making them among the safest lighting solutions on the market.
- **Richer, more natural color.** Eliminate the cold look and annoying flicker of fluorescent lighting. Luminas LEDs deliver warm, high-intensity light that is similar to the color spectrum of natural sunlight.
- **Tight color control.** Open a new world of design possibilities with control over color, brightness, intensity and saturation.
- **Highly directional.** Significantly more directional than conventional lighting, Luminas LEDs increase useful illumination, eliminate light pollution and dramatically enhance details in intricate designs.
- **Versatility in the workplace.** Luminas LEDs can be adapted to fit most workstations for ultra-efficient lighting, making them ideal for LEED certified and other green projects.

LUMINAS™

Why **LUMINAS?**

- Luminas LightRail™ (rigid body) is made of high-quality extruded aluminum. It has a unique installation system that makes it extremely easy to install.
- The LightRail design allows for maximum light in a slim ½" H x 1 ½" W profile
- Luminas LighTape™ (flexible body) is easily installed with its pressure-sensitive adhesive backing
- Luminas dimmable MR16 and PAR lamps available in a variety of color temperatures and beam spread angles
- Luminas LEDs are rated for up to 50,000 hours, allowing for maximum return on investment
- Luminas tests all of its LEDs for 24 hours of "burn in" to ensure that the LEDs will not fail out of the box
- Luminas color bins its LEDs within a tight 300K range to ensure color accuracy
- Luminas LEDs are currently being used in high-profile installations such as the BMW Museum in Germany and the LEED Platinum and Green Point Margarido Residence
- Superior light, superior design, and superior quality - **The LUMINAS Advantage™**

LUMINAS™



LIGHTRAIL™ Rigid body

The Lumina LightRail offers state-of-the-art LED lighting in a compact size. The LightRail uses 90% less electricity than standard incandescent lighting and 50% less than fluorescent lighting.

- **UL Listed**
- **Qualifies for LEED and Green Point Ratings**
- **Conforms to Title 24 High Efficacy Requirements**
- **Energy Star Partner**
- **No Toxic Mercury**
- **No Harmful UV Light**
- **State-of-the-Art Technology**
- **Simple Installation and Virtually Zero Maintenance Costs**
- **Ideal for Residential, Hospitality, and Commercial Applications**

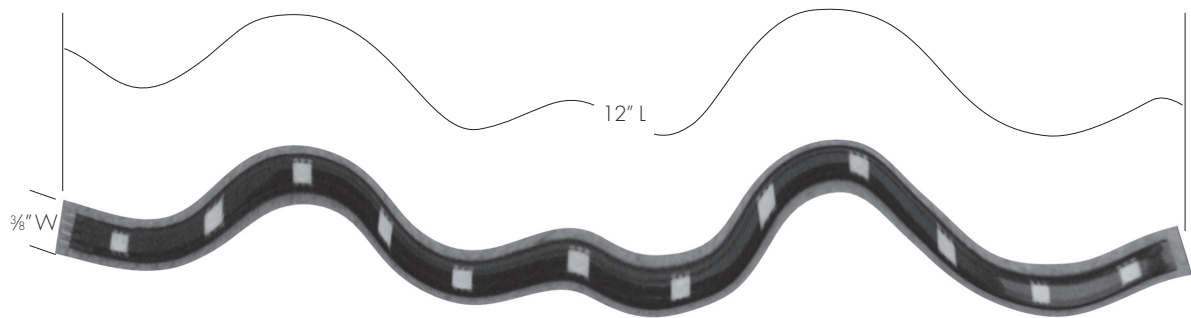
Power Consumption	7.2W per 20" L LightRail
Luminous Flux	435 Lumens per 20" L LightRail 3000 K Lamp
	485 Lumens per 20" L LightRail 4000 K Lamp
Beam Spread Angle	120°
Useful Life	50,000 Hours
Lengths Available.....	10" L, 20" L & 40" L
Dimensions	1/2" H x 1 1/2" W
Voltage	24v
Color Rendering Index.....	80
40W Transformer	Drives up to 100" of LightRail
60W Transformer	Drives up to 100" of LightRail
100W Transformer	Drives up to 200" of LightRail
	Do not use 100W Transformer w/Dimmer Controller.

Model No.

LR-10-3000	10" L, 3000 K (Warm White)
LR-10-4000	10" L, 4000 K (Cool White)
LR-20-3000	20" L, 3000 K (Warm White)
LR-20-4000	20" L, 4000 K (Cool White)
LR-40-3000	40" L, 3000 K (Warm White)
LR-40-4000	40" L, 4000 K (Cool White)
LR-10-2700	(Special Order)
LR-20-2700	(Special Order)
LR-40-2700	(Special Order)
LR-TRANS-40HW	40W Hardwire LightRail Transformer
LR-TRANS-60PLUG	60W Plug-In LightRail Transformer
LR-TRANS-100HW	100W Hardwire LightRail Transformer
LR-IR-DIMR-CONTR.....	LightRail Dimmer w/ Infrared Remote
LR-WIRE-12EXT	LightRail 12" Wire Extender w/ Connectors
LR-WIRE-36EXT	LightRail 36" Wire Extender w/ Connectors

Notes: Each LightRail includes (1) 12" white wire connector and 2 sets of mounting clips. Transformers, Dimmers, and 36" Wire Extenders ordered separately.

LUMINAS™



The Luminas LED LightTape offers a flexible lighting solution for the most challenging applications. The LightTape can be easily applied to most surfaces and contours using its pressure-sensitive adhesive backing.

- **UL Listed**
- **Ultra Slim and Flexible**
- **Pressure-Sensitive Adhesive Backing**
- **Qualifies for LEED and Green Point Ratings**
- **Conforms to Title 24 High Efficacy Requirements**
- **Energy Star Partner**
- **No Harmful UV Light**
- **State-of-the-Art Technology**
- **Ideal for Residential, Hospitality, and Commercial Applications**

LIGHTAPE™ Flexible body

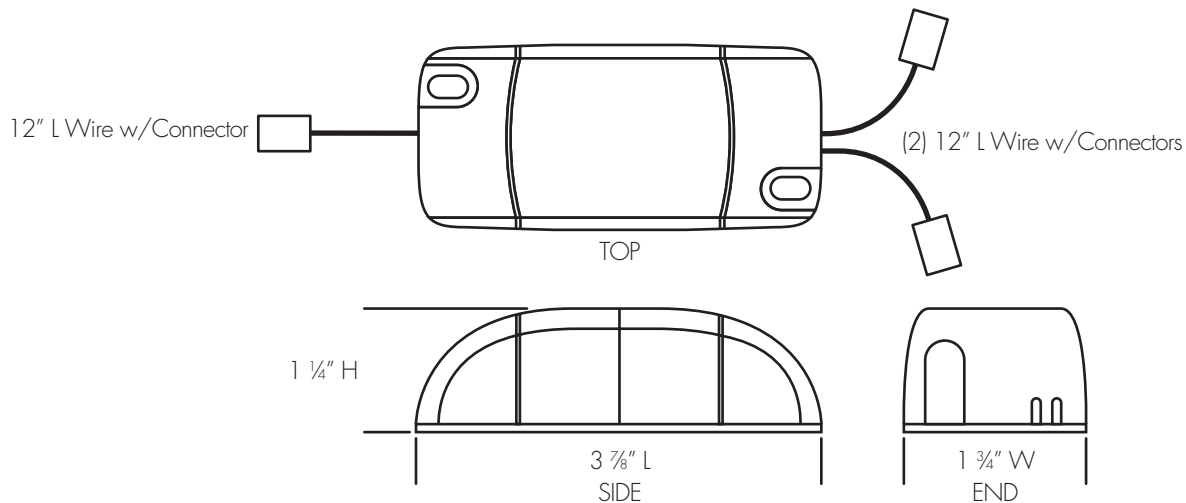
Power Consumption	3W per 12" L LightTape
Luminous Flux	160 Lumens per 12" L LightTape 3000 K Lamp 180 Lumens per 12" L LightTape 4000 K Lamp
Beam Spread Angle	120°
Useful Life	50,000 Hours
Dimensions	12" L x 3/8" W x 1/8" Thick
Voltage	24v
40W Transformer	Drives up to 12 ft. of LightTape
60W Transformer	Drives up to 16 ft. of LightTape
100W Transformer	Drives up to 32 ft. LightTape
	Do not use 100W Transformer w/Dimmer Controller.

Model No.

LT-12-3000	12" L, 3000 K (Warm White)
LT-12-4000	12" L, 4000 K (Cool White)
LT-12-2700.....	(Special Order)
LT-12-AMBER	(Special Order)
LT-TRANS-40HW	40W Hardwire LightTape Transformer
LT-TRANS-60PLUG.....	60W Plug-In LightTape Transformer
LT-TRANS-100HW.....	100W Hardwire LightTape Transformer
LT-CONN-STRAIGHT.....	Straight Connector for LightTape
LT-CONN-4WAY	4-Way Connector for LightTape
LT-THR-DIMR-CONTRLR	LightTape Dimmer w/ Infrared Remote
LT-DIMR-REPEATR	LightTape Dimmer Repeater
LT-WIRE-12EXT.....	LightTape 12" Wire Extender w/ Connectors
LT-WIRE-36EXT.....	LightTape 36" Wire Extender w/ Connectors

Notes: Each LightTape includes (1) Straight Connector. Transformers, Dimmers, 4-Way Connectors, and 12" or 36" Wire Extenders ordered separately. Each LightTape can be cut in half where marked at the 6" mid-point.

LUMINAS™



LUMINAS DIMMER REPEATER For LightTape™

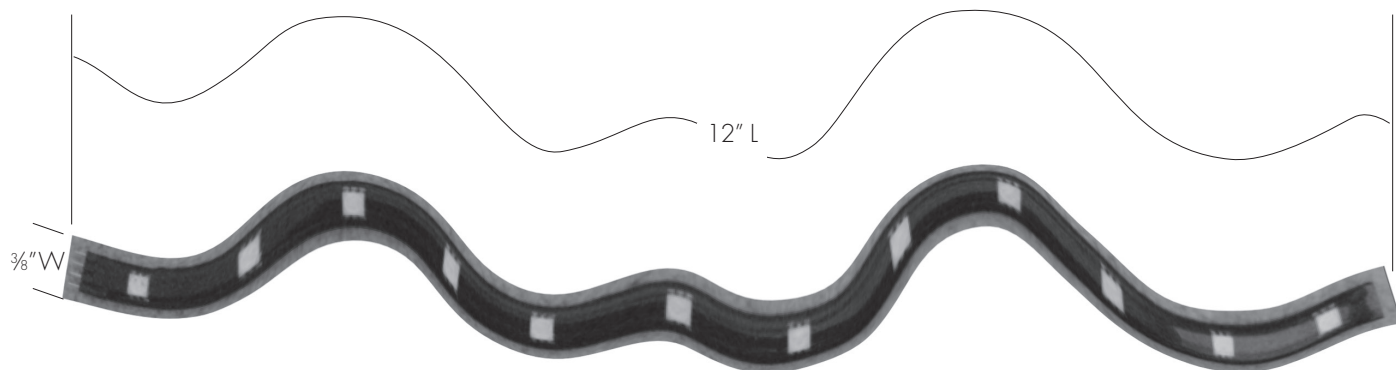
Input Voltage.....DC 10.5v ~ 26v
Output Power.....DC 24v

Model No.

LT-IR-DIMR-REPEATR LightTape Dimmer Repeater

Note: 60W maximum transformer to be used with Dimmer Repeater.

LUMINAS™



Add drama to any architectural lighting installation with the Luminas RGB LightTape. Solid colors or color-changing programs allow for maximum versatility while the thin flexible body ensures ease of installation in the most challenging applications.

- **UL Listed**
- **Ultra Slim and Flexible**
- **Pressure-Sensitive Adhesive Backing**
- **Qualifies for LEED and Green Point Ratings**
- **Energy Star Partner**
- **Conforms to Title 24 High Efficacy Requirements**
- **State-of-the-Art Technology**
- **Ideal for Residential, Hospitality, and Commercial Applications**

RGB COLOR LIGHTTAPE™ Flexible body

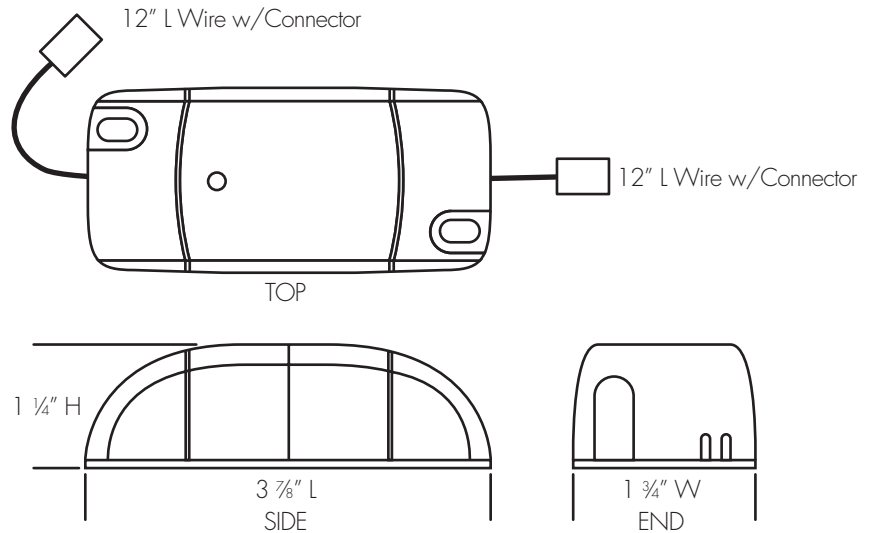
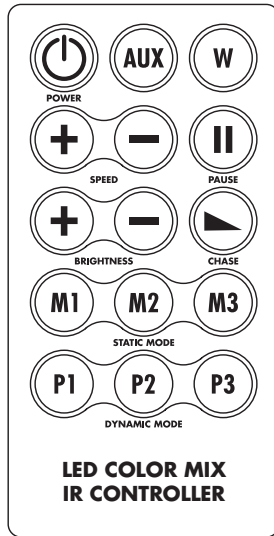
Colors.....	Red, Green, Blue, and combinations
Control.....	Ability to control individual color and combinations
Power Consumption	3W per 12" L LightTape
Luminous Flux	Red... 17 Lumens, Green... 36 Lumens, and Blue... 10 Lumens
Beam Spread Angle	120°
Useful Life	50,000 Hours
Dimensions	12" L x 3/8" W x 1/8" Thick
Voltage	24v
40W Transformer	Drives up to 12 ft. of LightTape
60W Transformer	Drives up to 16 ft. of LightTape

Model No.

LT-12-RGB	12" L RGB Color LightTape
LT-TRANS-40HW	40W Hardwire LightTape Transformer
LT-TRANS-60PLUG.....	60W Plug-In LightTape Transformer
LT-CONN-STRAIGHT.....	Straight Connector for LightTape
LT-CONN-4WAY	4-Way Connector for LightTape
LT-RGB-IR-CONTRLR.....	RGB LightTape Controller w/ Infrared Remote
LT-RGB-REPEATR	RGB LightTape Color Repeater
LT-WIRE-12EXT.....	LightTape 12" Wire Extender w/ Connectors
LT-WIRE-36EXT	LightTape 36" Wire Extender w/ Connectors

Notes: Each RGB LightTape includes (1) Straight Connector. Transformers, RGB Controllers, RGB Repeaters, 4-Way Connectors, and 12" or 36" Wire Extenders ordered separately. Must use Luminas in-line RGB Controller for color control. Each RGB LightTape can be cut in half where marked at the 6" midpoint.

LUMINAS™



RGB LIGHTTAPE™ COLOR CONTROLLER With Infrared Remote

Lighting control is at your fingertips with the RGB LightTape Controller. Change colors, adjust brightness, and select from three programs that allow for dramatic lighting options.

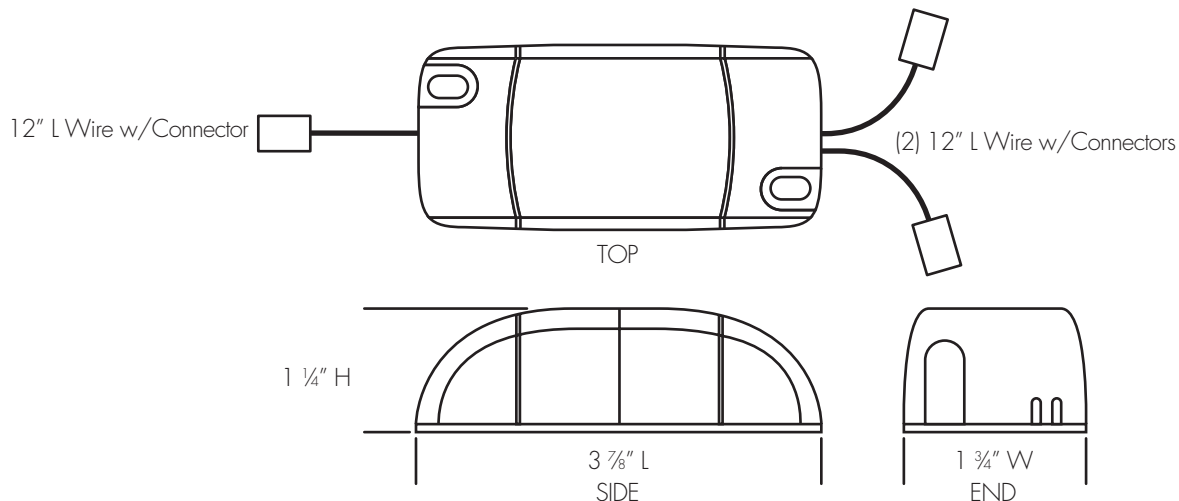
Input Voltage.....DC 10.5v ~ 26v
 Output Power.....DC 24v
 Max Remote Distance25 ft line-of-sight
 Program Options3 programs - Dynamic, Static, & Chase
 Additional FeaturesDimmable down to 20% power

Model No.

LT-RGB-IR-CONTLR.....RGB LightTape Controller w/ Infrared Remote

Note: RGB Color Controller to be installed in-line between the transformer and first light.
 Allow for clear line-of-sight in order to operate infrared remote.
 60W maximum transformer to be use with RGB Color Controller

LUMINAS™



RGB LIGHTTAPE™ COLOR REPEATER With Infrared Remote

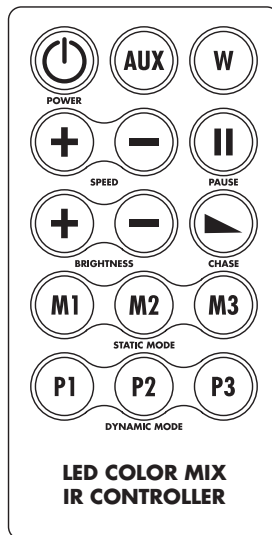
Input Voltage.....DC 10.5v ~ 26v
Output Power.....DC 24v

Model No.

LT-RGB-IR-REPEATR RGB LightTape Color Repeater

Note: 60W maximum transformer to be used with RGB Color Repeater.

LUMINAS™



IR REMOTE RGB COLOR CONTROLLER RGB COLOR LIGHTAPE™

REMOTE CONTROLLER BUTTONS

- POWER: Power On/Off
AUX: No Function
W: No Function
SPEED (+): Incrementally increases speed of P1, P2, P3 programs
SPEED (-): Incrementally decreases speed of P1, P2, P3 programs
BRIGHTNESS (+): Incrementally makes colors brighter for P1, P2, P3, M1, M2, M3
BRIGHTNESS (-): Incrementally dimmable down to 20% power for P1, P2, P3, M1, M2, M3
PAUSE: Pauses (stops) P1, P2, P3 programs
CHASE: Incrementally increases or decreases Chase speed
M1 M2 M3: Memory Buttons (see below for use)
P1 P2 P3: Pre-programmed buttons (see below for use)

P1 P2 P3 Pre-Programmed Buttons

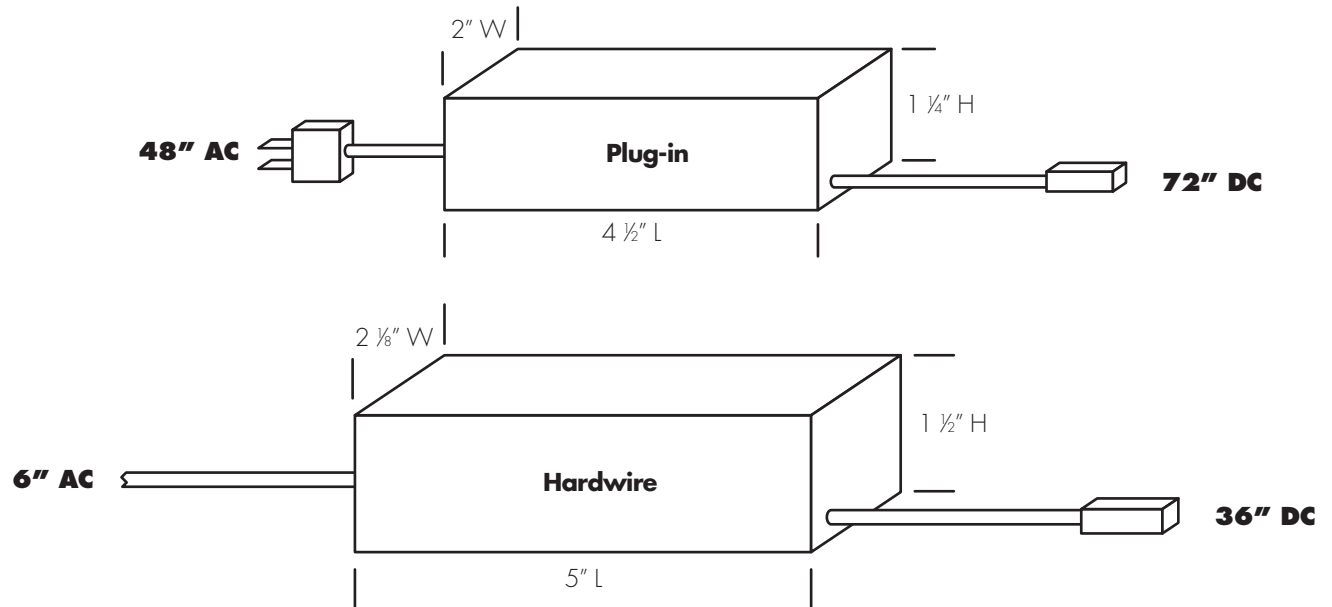
Each of these three pre-programmed buttons runs a different color-mixing program. Try all three to determine the ones you like.

M1 M2 M3 Memory Buttons

These buttons are used to memorize an individual color that can be recalled by pressing the button once programmed. To memorize a color while running one of the three pre-programmed modes (P1, P2, or P3), following these steps:

- 1) When you find a color you want to memorize, press the PAUSE button to stop on the color desired
- 2) Press M1, M2, or M3 to memorize the desired color for quick recall
- 3) Press PAUSE again to resume the pre-programmed mode

LUMINAS™



40W AND 60W TRANSFORMERS

Available Accessories:

- **36" Wire Extender w/ Connectors on each end (LR-WIRE-36EXT and LT-WIRE-36EXT)**
- **12" Wire Extender w/ Connectors on each end for LighTape only (LT-WIRE-12EXT)**

LighRail™

LR-TRANS-40HW:AC side wire: 6"
 DC side wire: 36"
 40W
 Hardwire Size 5"L x 2 1/8"W x 1 1/2"H
 Tan Color Body

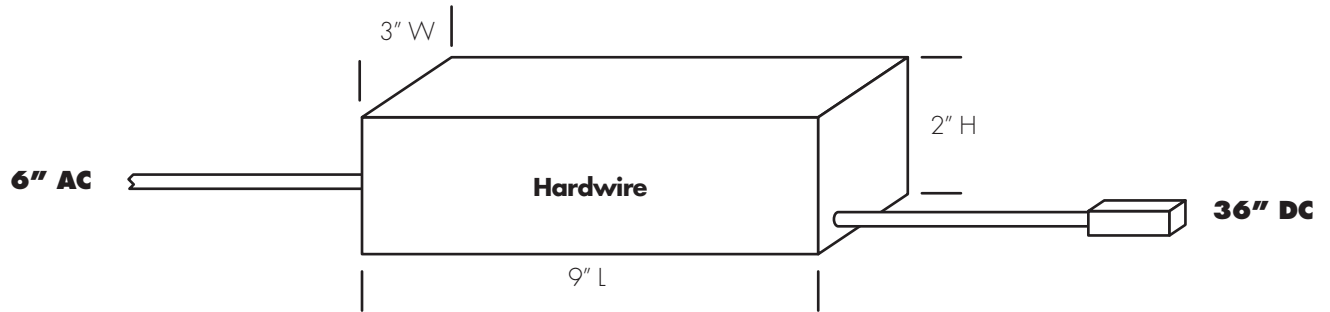
LR-TRANS-60PLUG:AC side cord: 48" w/ in-line on-off switch
 DC side wire: 72"
 60W
 Plug-in Size 4 1/2"L x 2"W x 1 1/4"H
 White Color Body

LighTape™

LT-TRANS-40HW:AC side wire: 6"
 DC side wire: 36"
 40W
 Hardwire Size 5"L x 2 1/8"W x 1 1/2"H
 Tan Color Body

LT-TRANS-60PLUG:AC side cord: 48" w/ in-line on-off switch
 DC side wire: 72"
 60W
 Plug-in Size 4 1/2"L x 2"W x 1 1/4"H
 Black Color Body

LUMINAS™



100W TRANSFORMERS

Available Accessories:

- **36" Wire Extender w/ Connectors on each end (LR-WIRE-36EXT and LT-WIRE-36EXT)**
- **12" Wire Extender w/ Connectors on each end for LighTape only (LT-WIRE-12EXT)**

LighTape™

LT-TRANS-100HW:.....AC side wire: 6"
 DC side wire: 36"
 100W
 Hardwire Size 9"L x 3"W x 2"H
 Gray Color Body

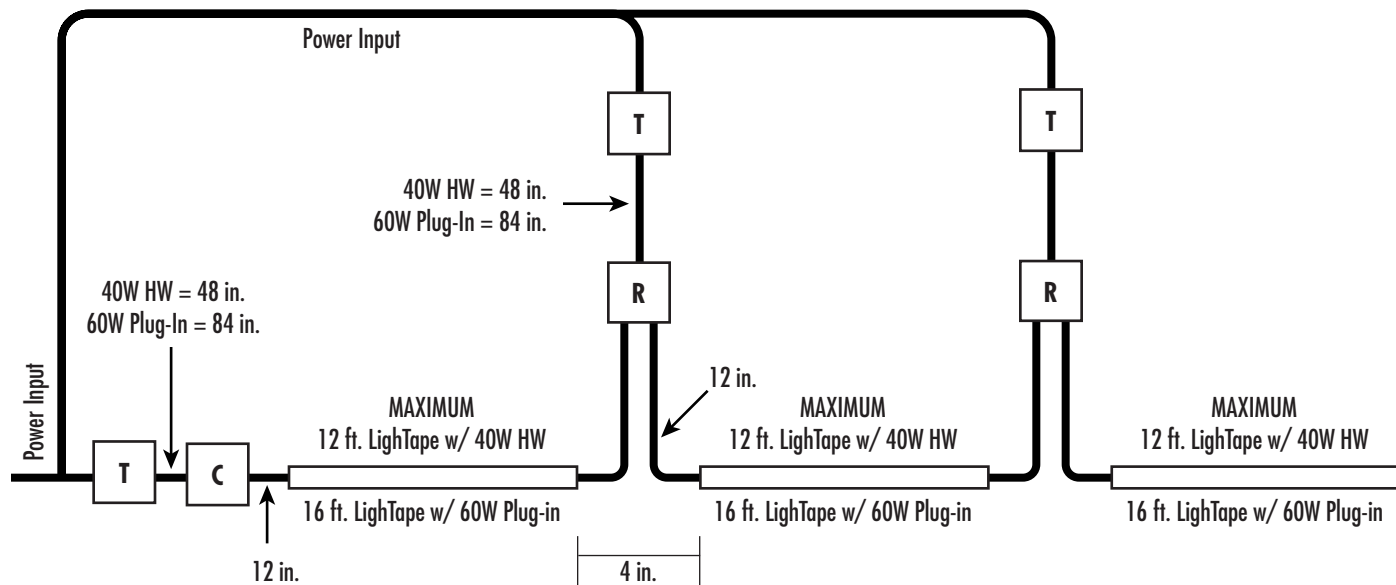
Note: Each 100W Transformer includes (1) "T" Connector and (3) Straight Connectors.
 Do not use 100W Transformer with LighTape Dimmer Controller, RGB Controller or Repeaters.

LighRail™

LR-TRANS-100HW:AC side cord: 6"
 DC side wire: 36"
 100W
 Hardwire Size 9"L x 3"W x 2"H
 Gray Color Body

Note: Each 100W Transformer includes (1) "Y" Connector.
 Do not use 100W Transformer with LighRail Dimmer Controller.

LUMINAS™

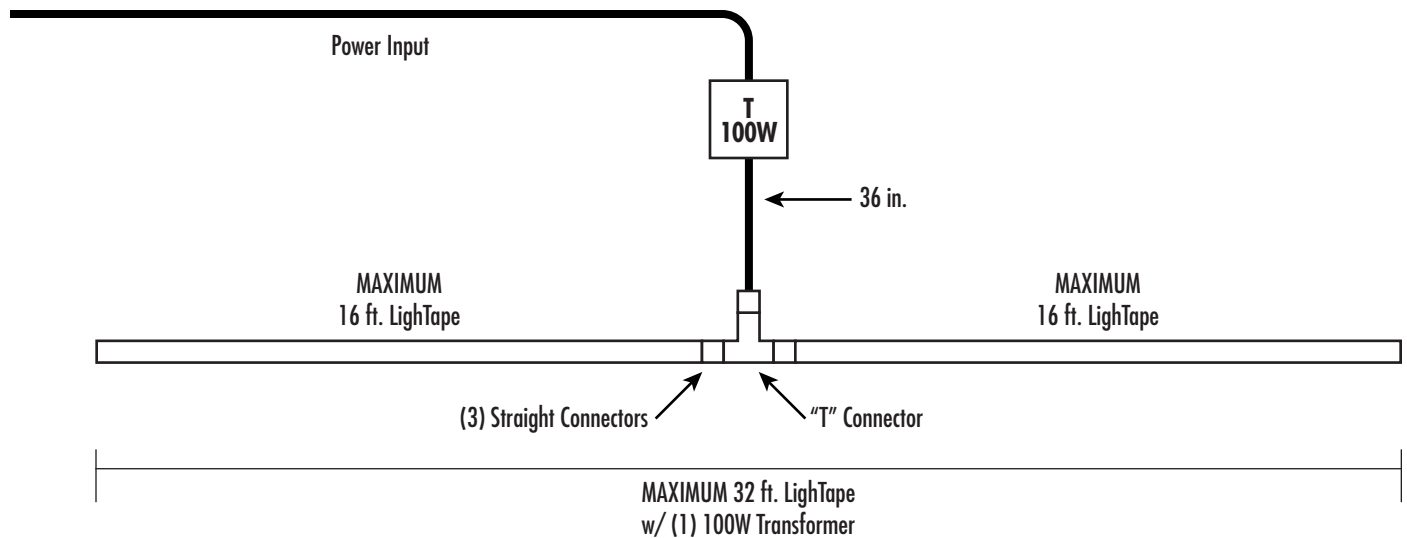


WIRING DIAGRAM: LIGHTTAPE™ w/ DIMMER CONTROLLER AND RGB LIGHTTAPE™ w/ COLOR CONTROLLER

- T** 40W Hardwire (LTTRANS-40HW) or 60W Plug-In (LTTRANS-60PLUG) Transformer
- C** LightTape Dimmer Controller (LTHR-DIMR-CONTRLR) or RGB LightTape Color Controller (LTRGB-IR-CONTRLR)
- R** LightTape Dimmer Repeater (LTHR-DIMR-REPEATR) or RGB LightTape Color Repeater (LTRGB-IR-REPEATR)

- NOTES:
- Maximum 60W Transformer per LightTape Dimmer Controller, RGB Color Controller, or Repeater
 - 40W Transformer (LTTRANS-40HW) Drives Up To 12 ft. of LightTape or RGB Color LightTape
 - 60W Transformer (LTTRANS-60PLUG) Drives Up To 16 ft. of LightTape or RGB Color LightTape
 - DO NOT Use 100W Transformer with LightTape Dimmer Controller, RGB Color Controller, or Repeater

LUMINAS™

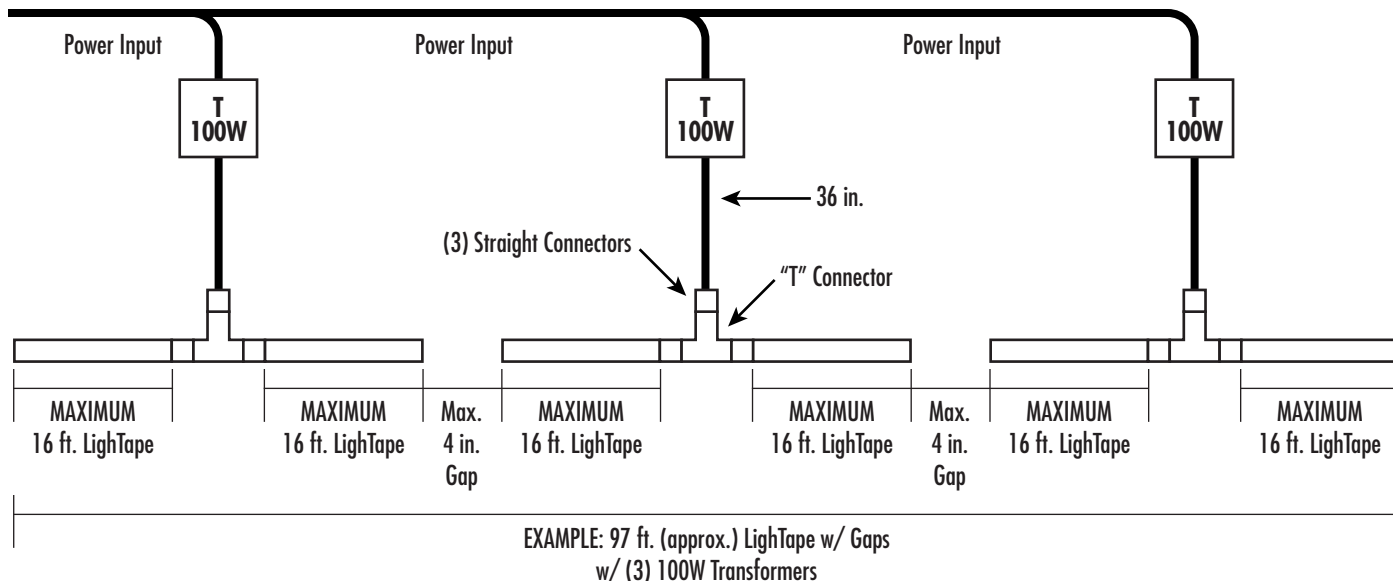


WIRING DIAGRAM: LIGHTTAPE™ w/ 100W TRANSFORMER

**T
100W** 100W Hardwire Transformer (LFTRANS-100HW)

- NOTES:
- 100W Transformer (LFTRANS-100HW) Drives Up To 32 ft. of LightTape
 - DO NOT Use 100W Transformer with LightTape Dimmer Controller or Repeater
 - DO NOT Use 100W Transformer with RGB LightTape
 - 100W Transformer Includes (1) "T" Connector and (3) Straight Connectors

LUMINAS™

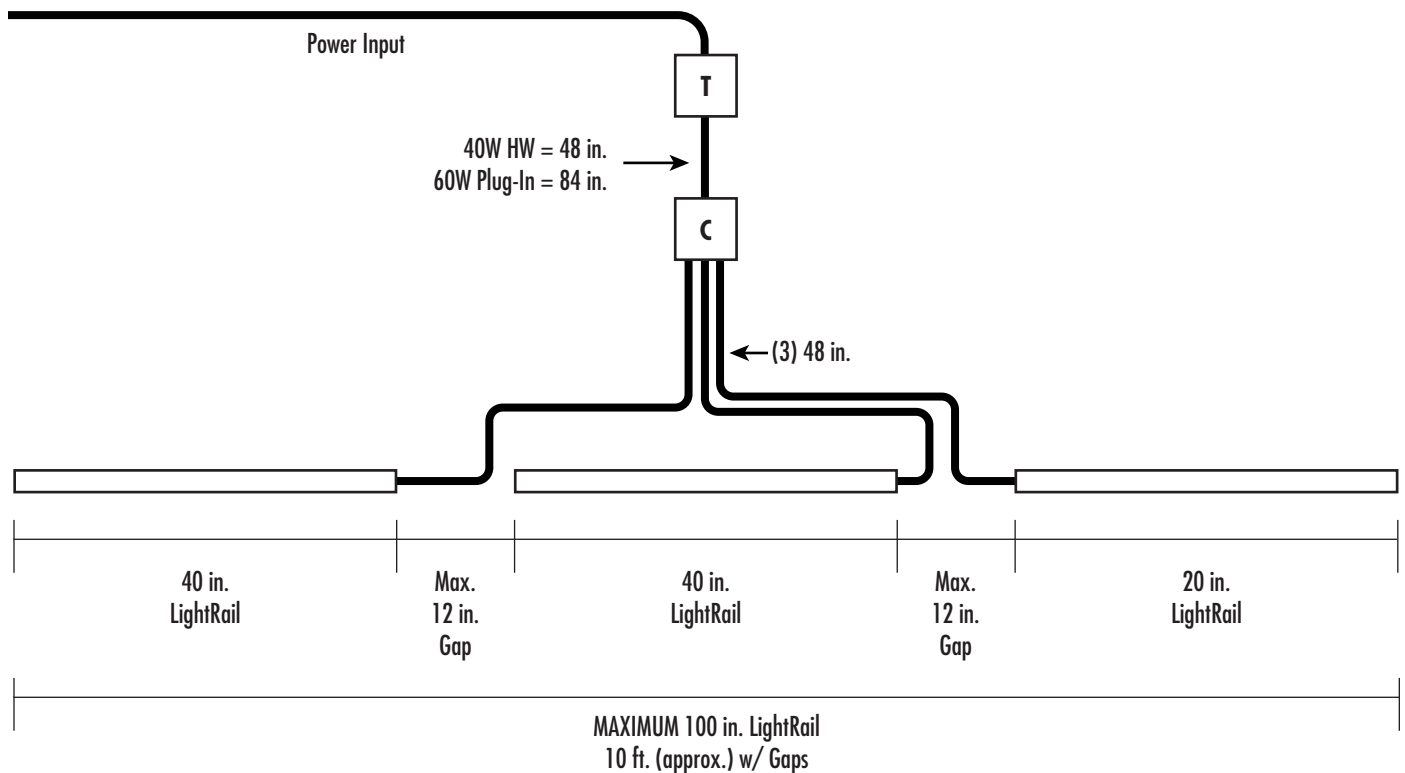


WIRING DIAGRAM: VERY LONG LIGHTTAPE™ RUN w/ MULTIPLE 100W TRANSFORMERS

T 100W 100W Hardwire Transformer (LFTRANS-100HW)

- NOTES:
- 100W Transformer (LFTRANS-100HW) Drives Up To 32 ft. of LighTape
 - DO NOT Use 100W Transformer with LighTape Dimmer Controller or Repeater
 - DO NOT Use 100W Transformer with RGB LighTape
 - 100W Transformer Includes (1) "T" Connector and (3) Straight Connectors

LUMINAS™



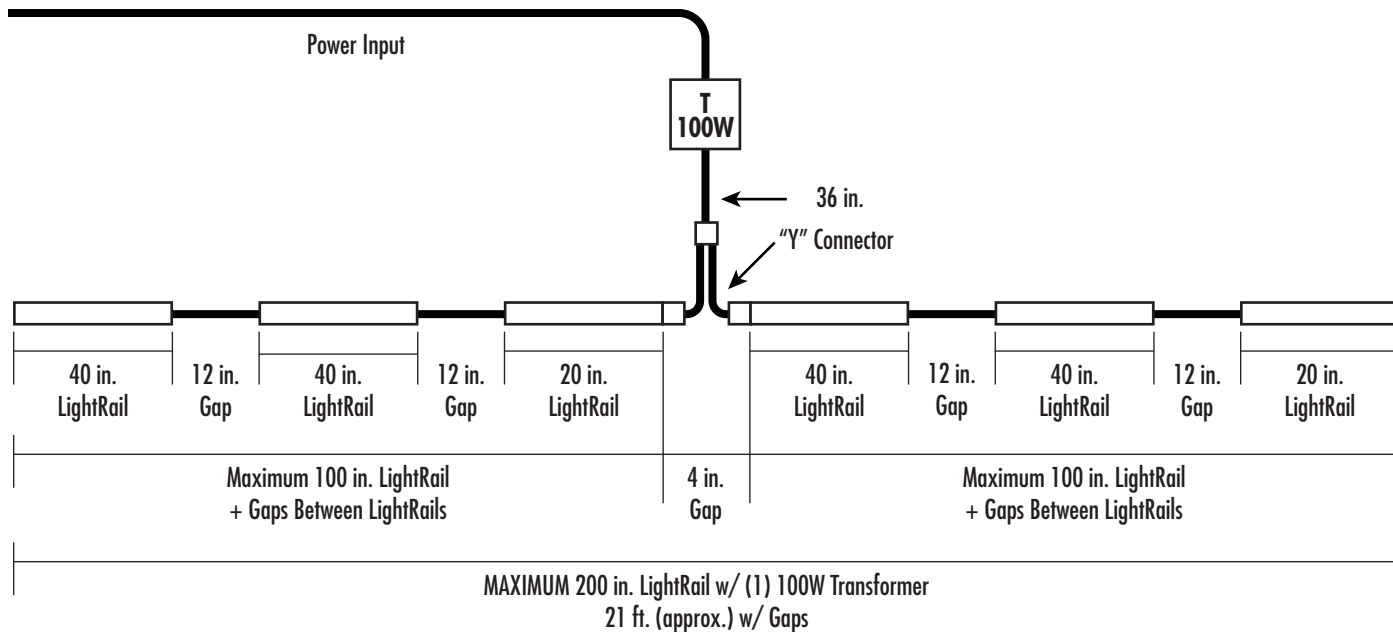
WIRING DIAGRAM: LIGHTRAIL™ w/ DIMMER CONTROLLER

T 40W Hardwire (LR-TRANS-40HW) or 60W Plug-In (LR-TRANS-60PLUG) Transformer

C LightRail Dimmer Controller (LR-IR-DIMR-CONTRLR)

- NOTES:
- Maximum 60W Transformer per LightRail Dimmer Controller
 - 40W Transformer (LR-TRANS-40HW) Drives Up To 100 in. of LightRail
 - 60W Transformer (LR-TRANS-60PLUG) Drives Up To 100 in. of LightRail
 - Max. 12 in. Gap Between LightRail Sections for Even Light at 18 in.+ from Lighted Surface
 - DO NOT Use 100W Transformer with LightRail Dimmer Controller

LUMINAS™

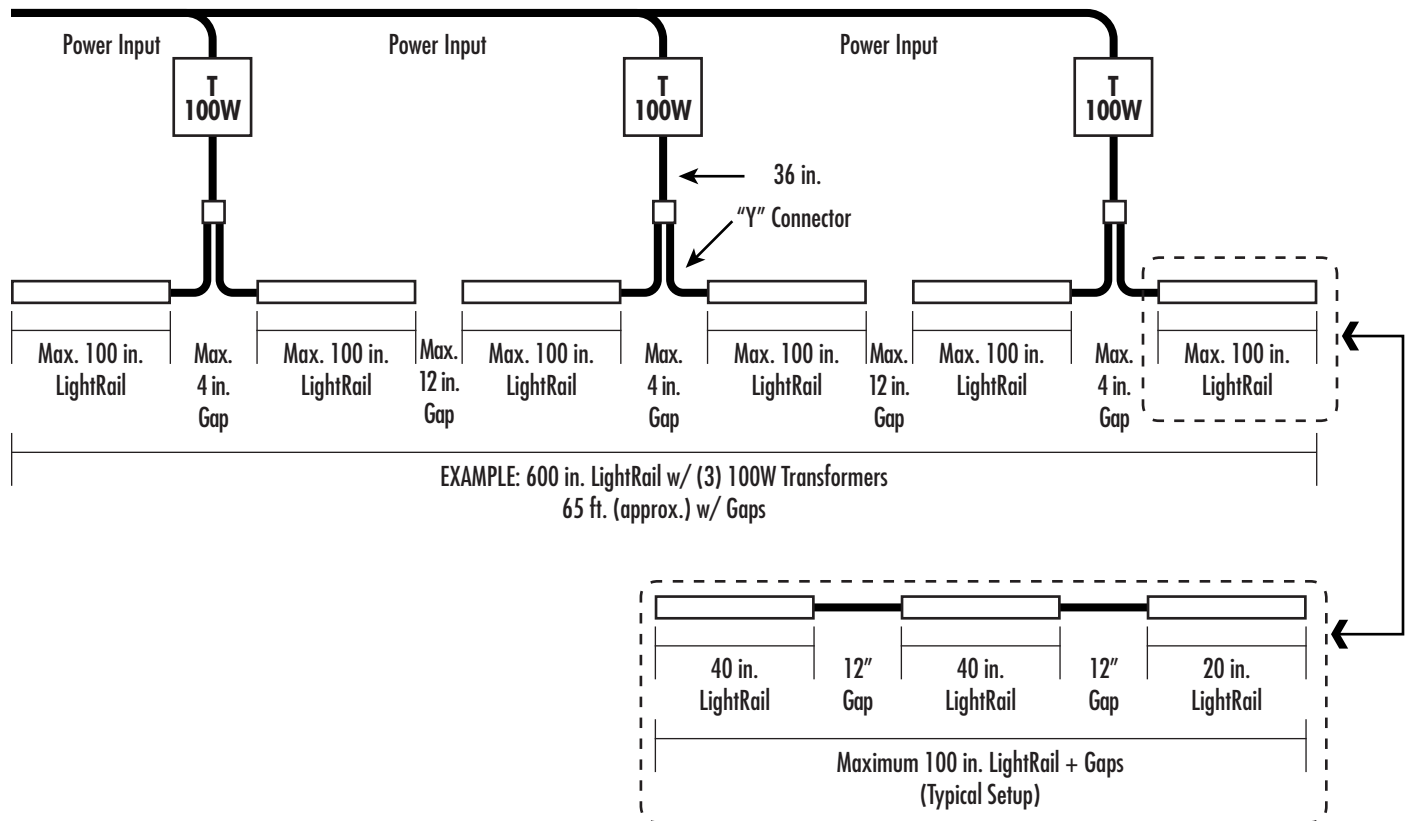


WIRING DIAGRAM: LIGHTRAIL™ w/ 100W TRANSFORMER

T 100W 100W Hardwire Transformer (LR-TRANS-100HW)

- NOTES:
- 100W Transformer (LR-TRANS-100HW) Drives Up To 200 in. of LightRail
 - Max. 12 in. Gap Between LightRail Sections for Even Light at 18 in.+ from Lighted Surface
 - DO NOT Use 100W Transformer with LightRail Dimmer Controller
 - 100W Transformer Includes (1) "Y" Wire Connector

LUMINAS™

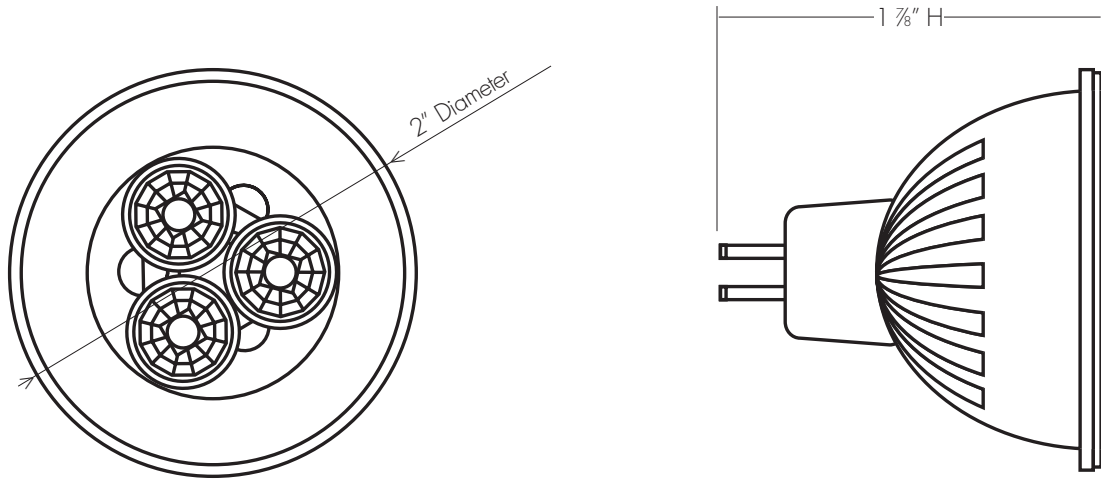


WIRING DIAGRAM: VERY LONG LIGHTRAIL™ RUN w/ MULTIPLE 100W TRANSFORMERS

T 100W 100W Hardwire Transformer (LR-TRANS-100HW)

- NOTES:
- Each 100W Transformer (LR-TRANS-100HW) Drives Up To 200 in. of LightRail
 - Max. 12" Gap Between LightRail Sections for Even Light at 18"+ from Lighted Surface
 - DO NOT Use 100W Transformer with LightRail Dimmer Controller
 - Each 100W Transformer Includes (1) "Y" Wire Connector

LUMINAS™



MR16 LED LAMP

The Luminas LED MR16 offers unparalleled light quality and energy savings by reducing energy consumption up to 85% over a standard MR16. The Luminas MR16's unique design provides an attractive alternative for any application that requires low power consumption and long lamp life, without sacrificing high-quality light output.

- **CE Certified**
- **Qualifies for LEED and Green Point Ratings**
- **Conforms to Title 24 High Efficacy Requirements**
- **Energy Star Partner**
- **No Harmful UV Light**
- **State-of-the-Art Technology**
- **Ideal for Residential, Hospitality, and Commercial Applications**

Power Consumption	5W
Luminous Flux	200 Lumens
Beam Spread Angle	30° or 60°
Useful Life	20,000 Hours
Dimensions	2" Dia. x 1 7/8" H
Voltage	12v AC/DC or 24v DC
Color Rendering Index.....	75
Color Temperature	2700K
Dimmable.....	Down to 1% Power
	<i>Use low-voltage magnetic dimmer switch</i>
Base	Bi-Pin
Incandescent Equivalent.....	25W Halogen

Model No.

LP-MR16-30D-2700	2700K (Warm White)
	30° Beam Spread Angle
LP-MR16-60D-2700	2700K (Warm White)
	60° Beam Spread Angle

Note: To be used indoors or in covered applications when used outdoors.
Do not expose to water.

LUMINAS™



LUMINAS TITANIUM™ LED PAR 30

The Luminas Titanium LED PAR lamps offer state-of-the-art LED lighting with the convenience and ease of a standard E26 Medium Base replacement lamp.

- **CE Certified**
- **Qualifies for LEED and Green Point Ratings**
- **Conforms to Title 24 High Efficacy Requirements**
- **Energy Star Partner**
- **No Harmful UV Light**
- **State-of-the-Art Technology**
- **Ideal for Residential, Hospitality, and Commercial Applications**

LED Replacement Lamp

Power Consumption	9 W
Luminous Flux	530 Lumens with 3000 K Lamp 580 Lumens with 4000 K Lamp
Beam Spread Angle	60° or 120°
Useful Life	35,000 Hours
Dimensions	3 3/4" Dia. x 4 1/8" L
Voltage	120v AC
Color Rendering Index.....	85
Dimmable.....	Compatible with mechanical slide dimmer and rotary dimmer. Down to 20% Power.
Base.....	E26 (Medium Base)
Body Color.....	Titanium Gray
Incandescent Equivalent.....	65W

Model No.

LP-PAR30-60D-3000	3000 K (Warm White), 60° Beam Spread Angle
LP-PAR30-60D-4000	4000 K (Cool White), 60° Beam Spread Angle
LP-PAR30-120D-3000	3000 K (Warm White), 120° Beam Spread Angle
LP-PAR30-120D-4000	4000 K (Cool White), 120° Beam Spread Angle

Note: To be used indoors or in covered applications when used outdoors. Do not expose to water.

LUMINAS™



LUMINAS TITANIUM™ LED PAR 38

The Luminas Titanium LED PAR lamps offer state-of-the-art LED lighting with the convenience and ease of a standard E26 Medium Base replacement lamp.

- **CE Certified**
- **Qualifies for LEED and Green Point Ratings**
- **Conforms to Title 24 High Efficacy Requirements**
- **Energy Star Partner**
- **No Harmful UV Light**
- **State-of-the-Art Technology**
- **Ideal for Residential, Hospitality, and Commercial Applications**

LED Replacement Lamp

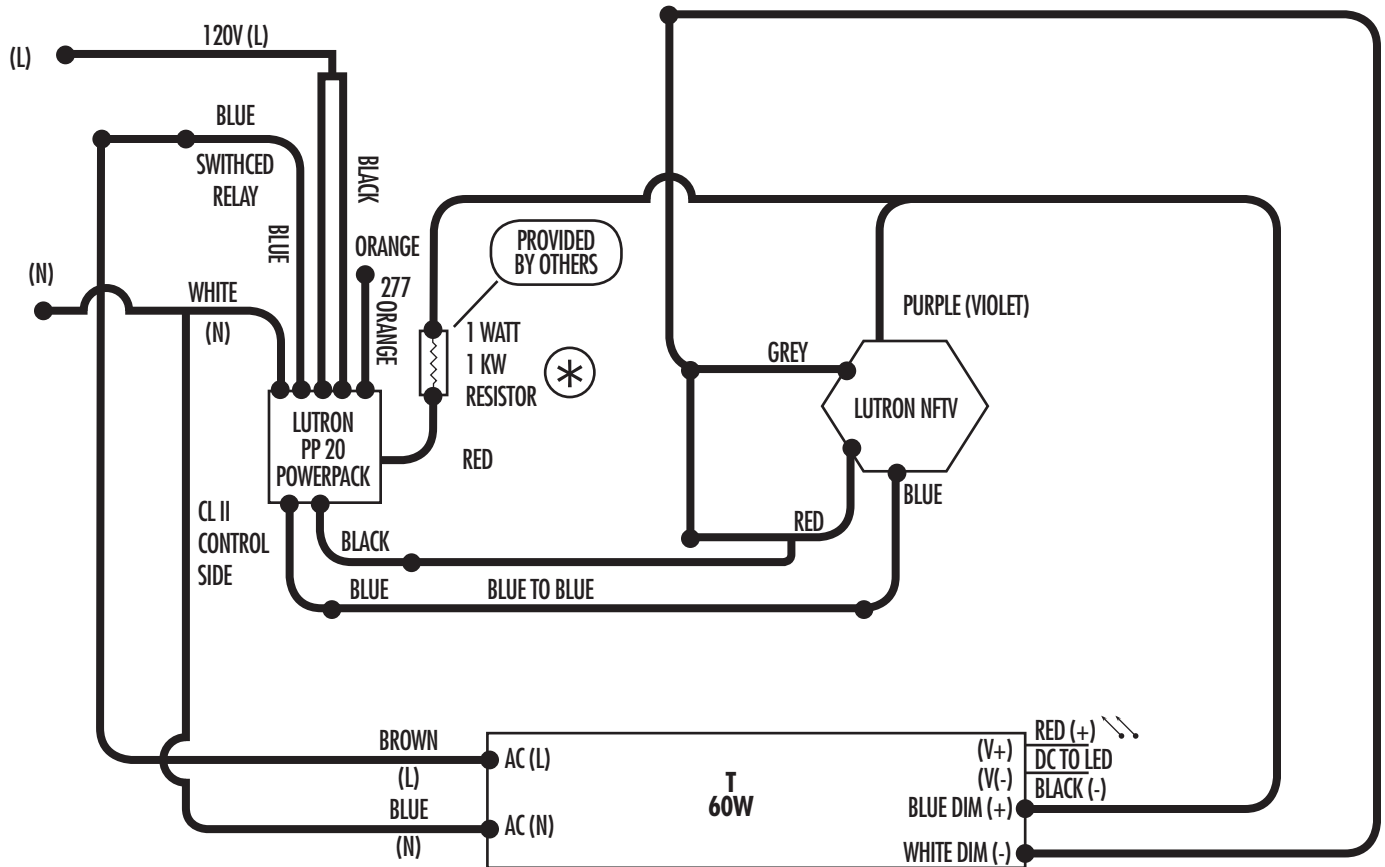
Power Consumption	13 W
Luminous Flux	830 Lumens with 3000 K Lamp 950 Lumens with 4000 K Lamp
Beam Spread Angle	60° or 120°
Useful Life	35,000 Hours
Dimensions	4 3/4" Dia. x 5 1/2" L
Voltage	120v AC
Color Rendering Index.....	85
Dimmable.....	Compatible with mechanical slide dimmer and rotary dimmer. Down to 20% power.
Base.....	E26 (Medium Base)
Body Color.....	Titanium Gray
Incandescent Equivalent.....	75W

Model No.

LP-PAR38-60D-3000	3000 K (Warm White), 60° Beam Spread Angle
LP-PAR38-60D-4000	4000 K (Cool White), 60° Beam Spread Angle
LP-PAR38-120D-3000	3000 K (Warm White), 120° Beam Spread Angle
LP-PAR38-120D-4000	4000 K (Cool White), 120° Beam Spread Angle

Note: To be used indoors or in covered applications when used outdoors. Do not expose to water.

LUMINAS™



SAMPLE WIRING DIAGRAM USING LUMINAS TRANSFORMER LT-TRANS-60HW-DIM AND A LUTRON NFTV DIMMER WITH PP20 POWERPACK.

T 60W 60W Hardwire 0-10V Dimmable Transformer (LT or LR-TRANS-60HW-DIMM)

- NOTES:
- Other Manufacture's 0-10V dimmers may also work as long as the dimmer or powerpack produces a sourcing signal.
 - Luminas LT-TRANS-60HW-DIM will not function properly without a sourcing signal to the control (Blue & White) wires.
 - All installations must be performed by a licensed electrician.

LUMINAS™

LUMINAS 60W 0-10V ELECTRONICALLY DIMMABLE TRANSFORMER

LightRail™

LR-TRANS-60W-DIM.....	AC side wire.....	12"
	DC side wire.....	47"
	Control Wire.....	12"
	60W – Hardwire Only	
	Hardwire Size	7"L x 2.6"W x 1.6"H
	Tan Color Body	

LighTape™

LT-TRANS-60W-DIM.....	AC side wire.....	8"
	DC side wire.....	18"
	Control Wire.....	12"
	60W – Hardwire Only	
	Hardwire Size	9"L x 3"W x 1.5"H
	Tan Color Body	

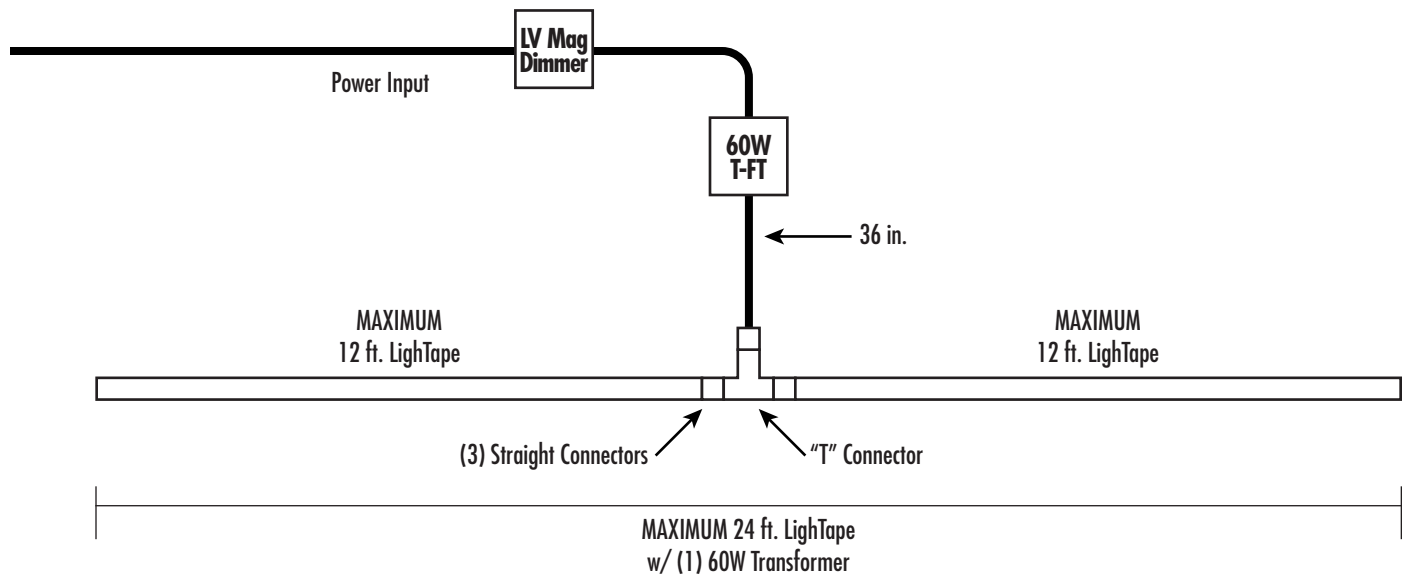
Available Accessories:

- 36" Wire Extender w/ Connectors on each end (LR-WIRE-36EXT and LT-WIRE-36EXT)
- 12" Wire Extender w/ Connectors on each end (LR-WIRE-12EXT and LT-WIRE-12EXT)

Note:

- Must be used in conjunction with a 0-10V wall dimmer and control module.
- Must have a two wire low voltage cable running from the dimmer to the transformer in order for proper operation.
Please refer to Lutron, Leviton, etc for appropriate wall dimmers.
- Luminas 0-10V transformers require a "sourcing" signal from a power pack and will not work with "syncing" dimmers.

LUMINAS™



WIRING DIAGRAM:

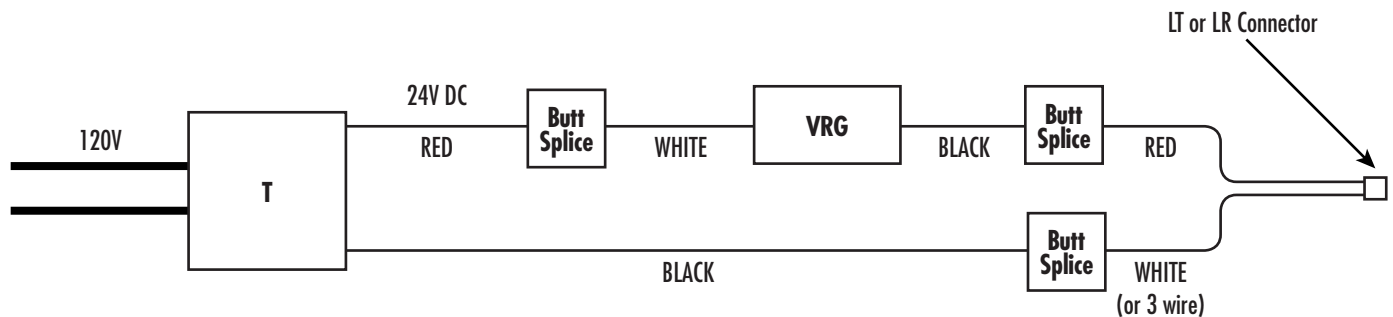
LIGHTTAPE™ w/60W DIMMABLE MAGNETIC TRANSFORMER



60W Hardwire Transformer — Dimmable — (LTTRANS-60HW-Dim-FT)

- NOTES:
- 60W Transformer (LTTRANS-60HW-Dim-FT) Drives Up To 24 ft. of LightTape
 - To be used with magnetic dimmer
 - Dimmable to 1%

LUMINAS™



WIRING DIAGRAM: FT-VRG

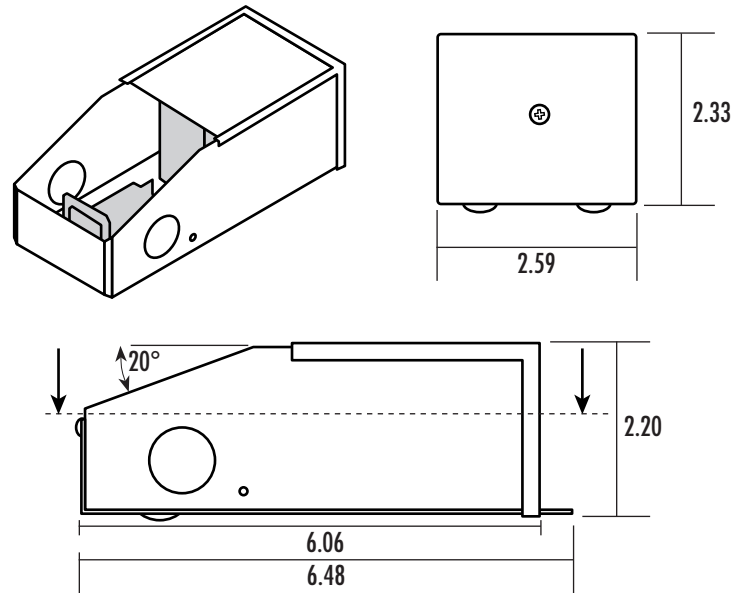
From the DC side of the transformer, connect the RED wire to the WHITE from the

VRG

Connect the **VRG** BLACK wire to the RED wire coming from the LT or LR feed wire/connector.

Installation must only be performed by a licensed electrician.

LUMINAS™



MG SERIES 60W MAGNETIC DIMMABLE TRANSFORMER

LightRail™

LR-TRANS-60W-DIM-MG AC side wire..... 6"
 DC side wire..... 36"
 60W – Hardwire Only
 Hardwire Size 6"L x 2.5"W x 2.5"H
 Black Color Body

LightTape™

LT-TRANS-60W-DIM-MG AC side wire..... 6"
 DC side wire..... 36"
 60W – Hardwire Only
 Hardwire Size 6"L x 2.5"W x 2.5"H
 Black Color Body

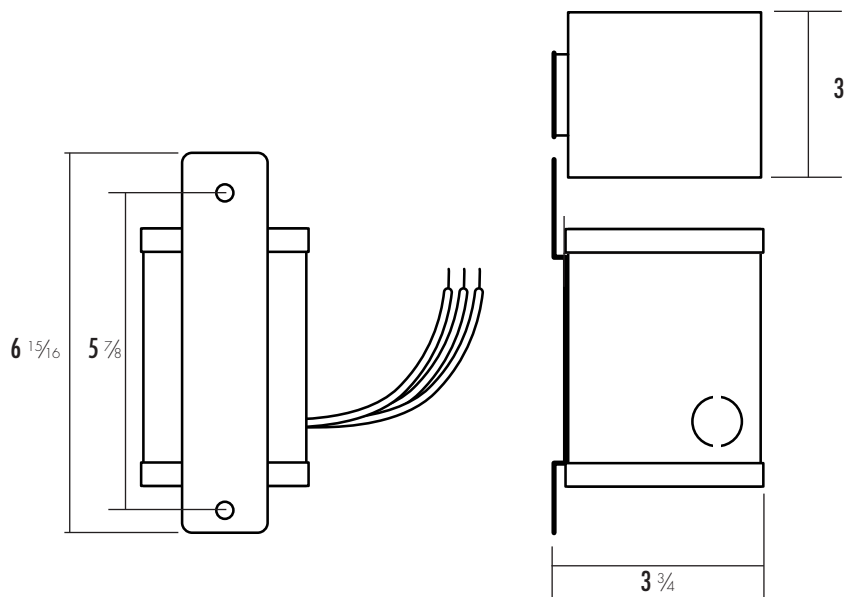
Available Accessories:

- 36" Wire Extender w/Connectors on each end (LR-WIRE-36EXT and LT-WIRE-36EXT)
- 12" Wire Extender w/Connectors on each end (LR-WIRE-12EXT and LT-WIRE-12 EXT)
- Voltage Regulator (LM-MG-VR)

Note:

- Must be used in conjunction with a low voltage magnetic wall Dimmer.
- Please refer to Lutron, Leviton, etc for appropriate wall dimmers.
- ETL listed. Thermal Class B 130C
- Input Current Full Load 540mA
- Open Circuit Volts 25VDC
- Output Current Full Load 2.4A
- Output Voltage Full Load 20.5VDC*
 *field limited

LUMINAS™



FT SERIES 60W MAGNETIC DIMMABLE TRANSFORMER

LightRail™

LR-TRANS-60W-DIM-FT AC side wire..... 4"
 DC side wire..... 36"
 60W – Hardwire Only
 Hardwire Size 6"L x 2.5"W x 2.5"H
 Silver Color Body

LightTape™

LT-TRANS-60W-DIM-FT..... AC side wire..... 4"
 DC side wire..... 36"
 60W – Hardwire Only
 Hardwire Size 6"L x 2.5"W x 2.5"H
 Silver Color Body

Available Accessories:

- 36" Wire Extender w/Connectors on each end (LR-WIRE-36EXT and LT-WIRE-36EXT)
- 12" Wire Extender w/Connectors on each end (LR-WIRE-12EXT and LT-WIRE-12 EXT)
- Voltage Regulator (LM-MG-VR)

Note:

- Must be used in conjunction with a low voltage magnetic wall Dimmer.
- Please refer to Lutron, Leviton, etc for appropriate wall dimmers.
- ETL listed. Thermal Class B 130C
- Input Current Full Load 540mA
- Open Circuit Volts 24VDC
- Output Current Full Load 2
- No Minimum Load Requirement
- Knockout Holes for Easy Connection